



US0D1024846S

(12) **United States Design Patent**  
**Kuikka**

(10) **Patent No.:** **US D1,024,846 S**

(45) **Date of Patent:** **\*\* Apr. 30, 2024**

- (54) **FRAME OF A SNOWMOBILE**
- (71) Applicant: **Vaellan Oy**, Jyvaskyla (FI)
- (72) Inventor: **Petri Kuikka**, Jyvaskyla (FI)
- (73) Assignee: **VAELLAN OY**, Jyvaskyla (FI)
- (\*\*) Term: **15 Years**

2018/0186430	A1*	7/2018	Vigen	.....	B62M 27/02
2019/0047662	A1*	2/2019	Lemieux	.....	B62M 27/02
2020/0047831	A1*	2/2020	Bates, Jr.	.....	B62D 55/108
2020/0277023	A1*	9/2020	Vigen	.....	B62J 40/00
2022/0063764	A1*	3/2022	Matsushita	.....	B60L 58/26

\* cited by examiner

*Primary Examiner* — Ania Aman

(74) *Attorney, Agent, or Firm* — Ziegler IP Law Group

- (21) Appl. No.: **29/813,148**
- (22) Filed: **Oct. 27, 2021**
- (51) **LOC (14) Cl.** ..... **12-13**
- (52) **U.S. Cl.**  
USPC ..... **D12/7**
- (58) **Field of Classification Search**  
USPC ..... D12/7, 8, 9  
CPC ..... B62M 2027/028  
See application file for complete search history.

(57) **CLAIM**

The ornamental design for a frame of a snowmobile, as shown and described.

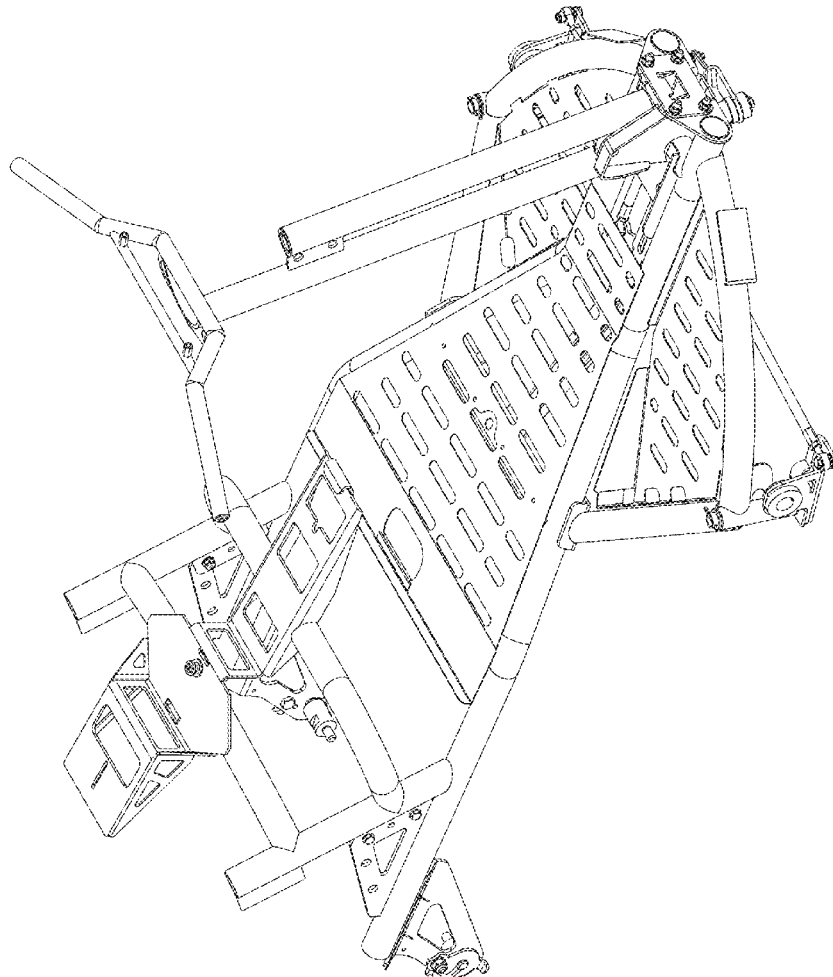
**DESCRIPTION**

FIG. 1 is a perspective view of the frame of a snowmobile of my new design as seen from above;  
 FIG. 2 is a side view of the frame of a snowmobile;  
 FIG. 3 is a top view of the frame of a snowmobile;  
 FIG. 4 is a bottom view of the frame of a snowmobile;  
 FIG. 5 is a front view of the frame of a snowmobile; and,  
 FIG. 6 is a rear view of the frame of a snowmobile.

(56) **References Cited**  
 U.S. PATENT DOCUMENTS

2017/0247084	A1*	8/2017	Vezina	.....	B62M 27/02
2017/0341710	A1*	11/2017	Vezina	.....	B60G 3/20

**1 Claim, 6 Drawing Sheets**



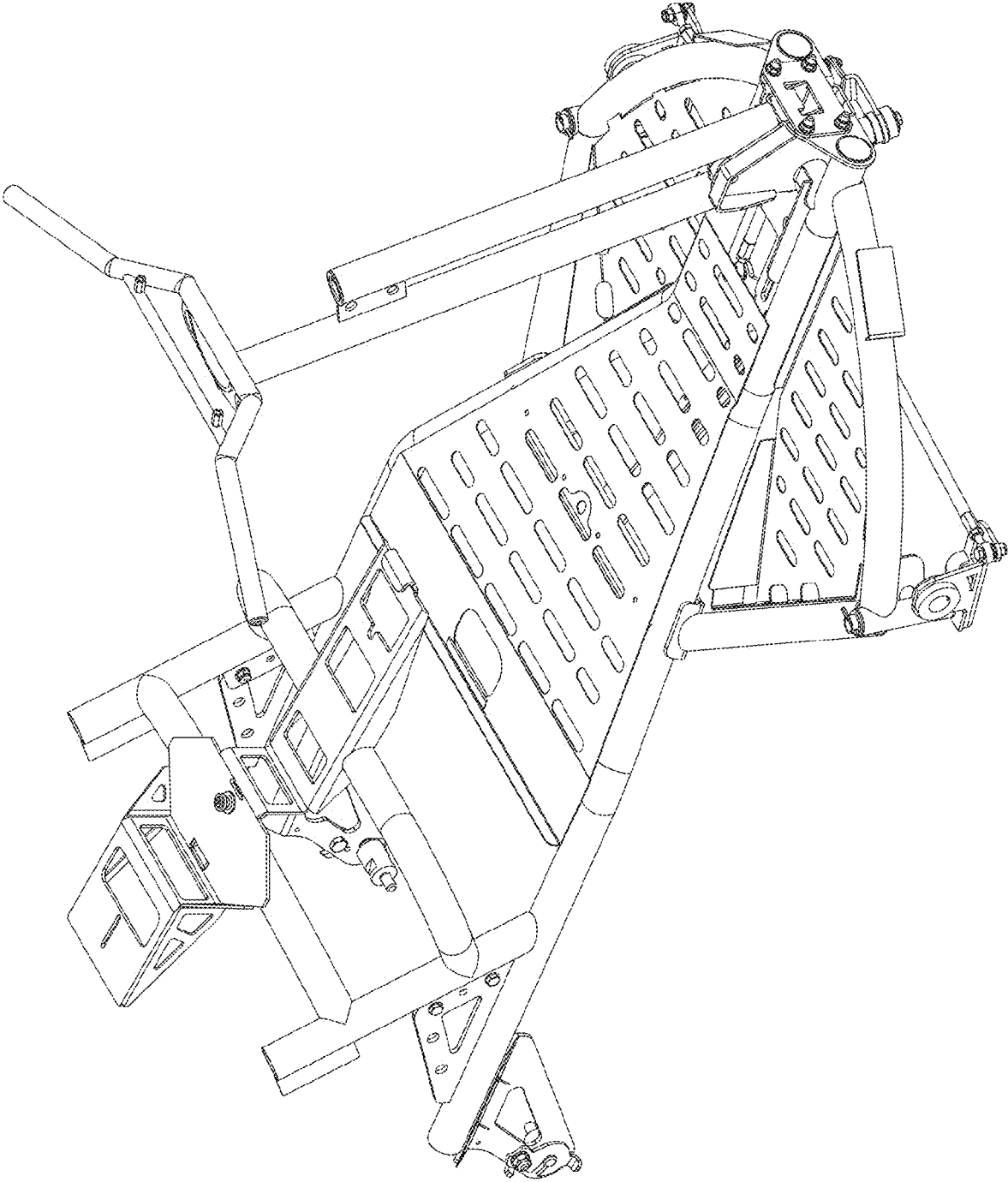


FIG. 1

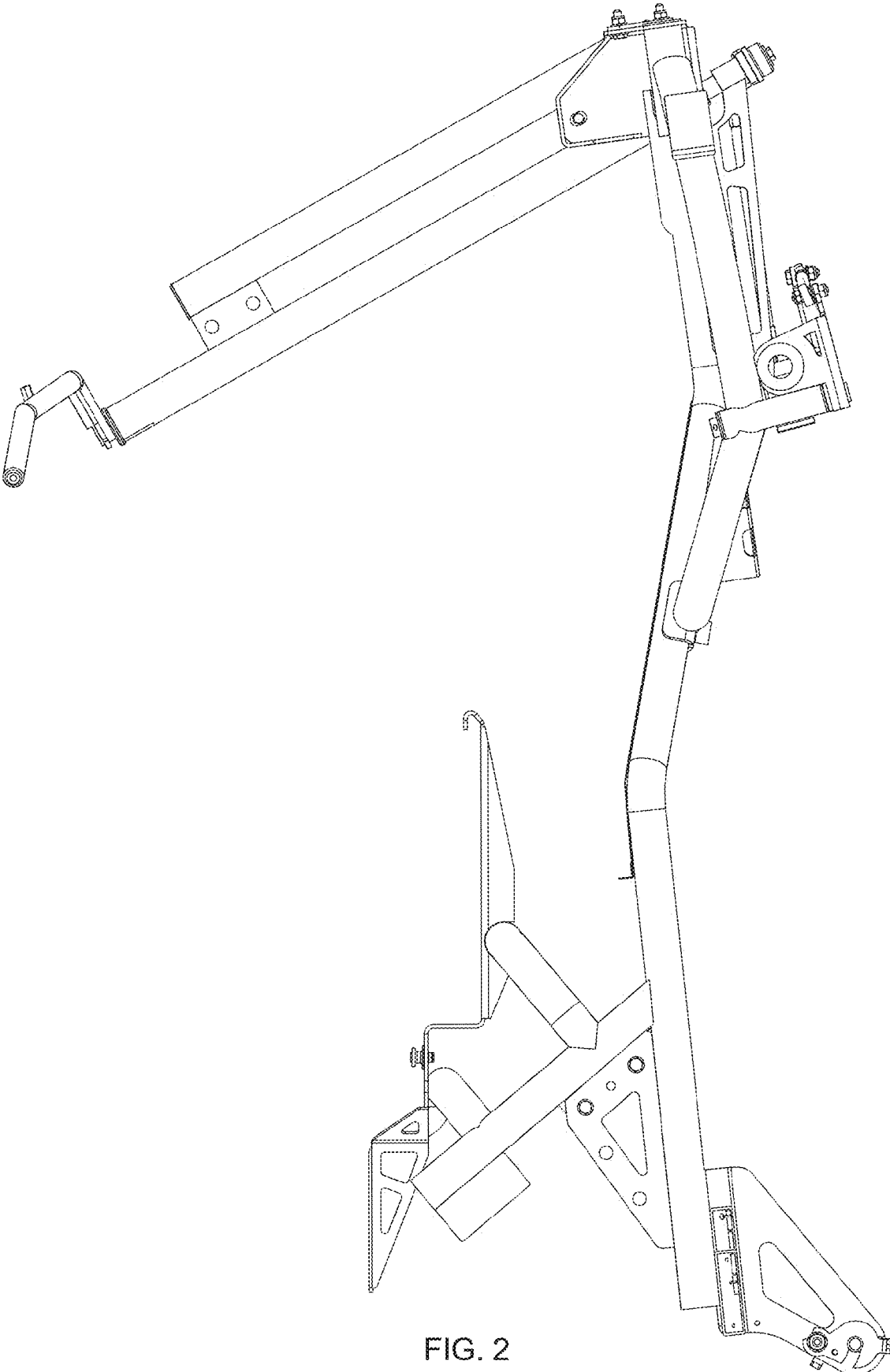


FIG. 2

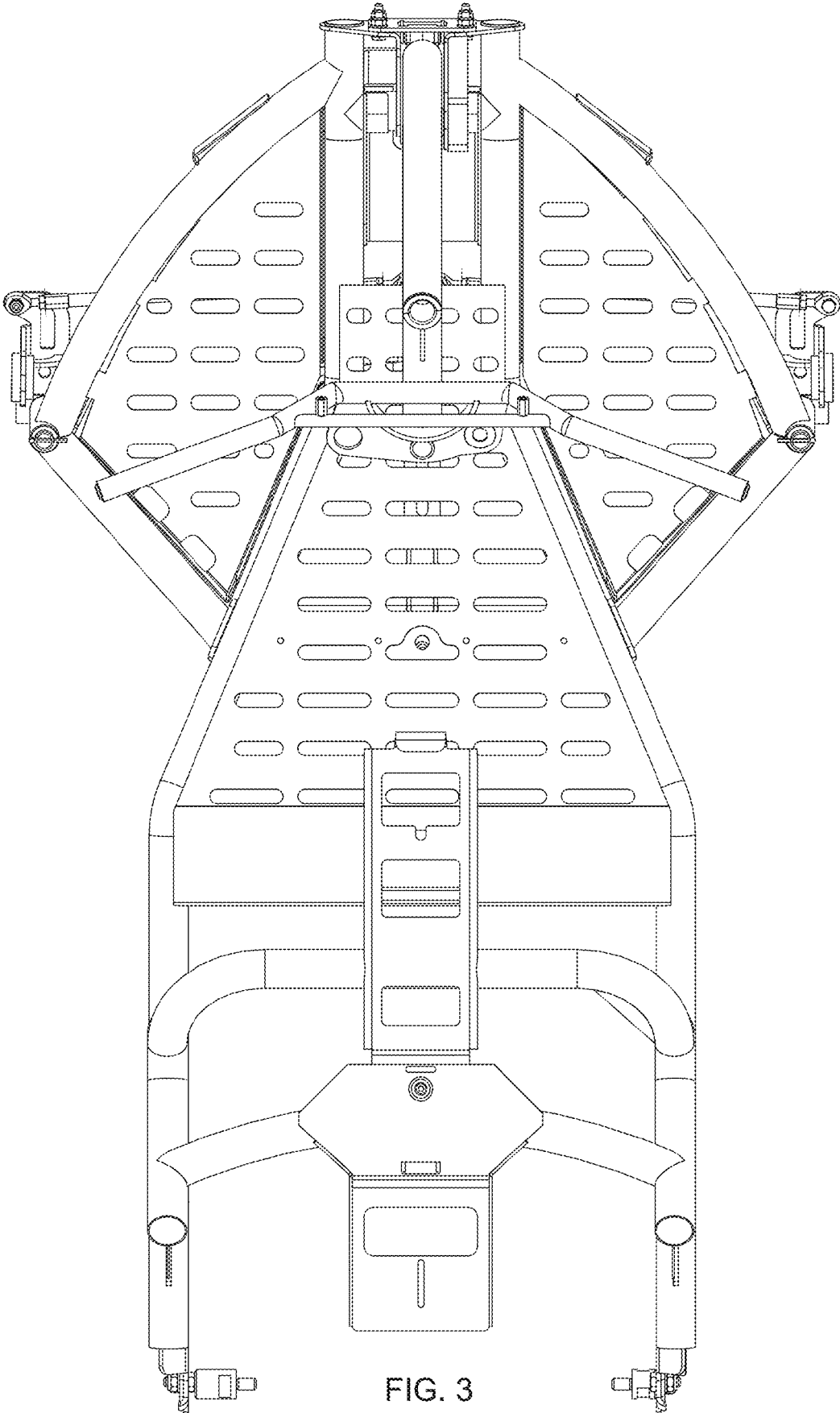


FIG. 3

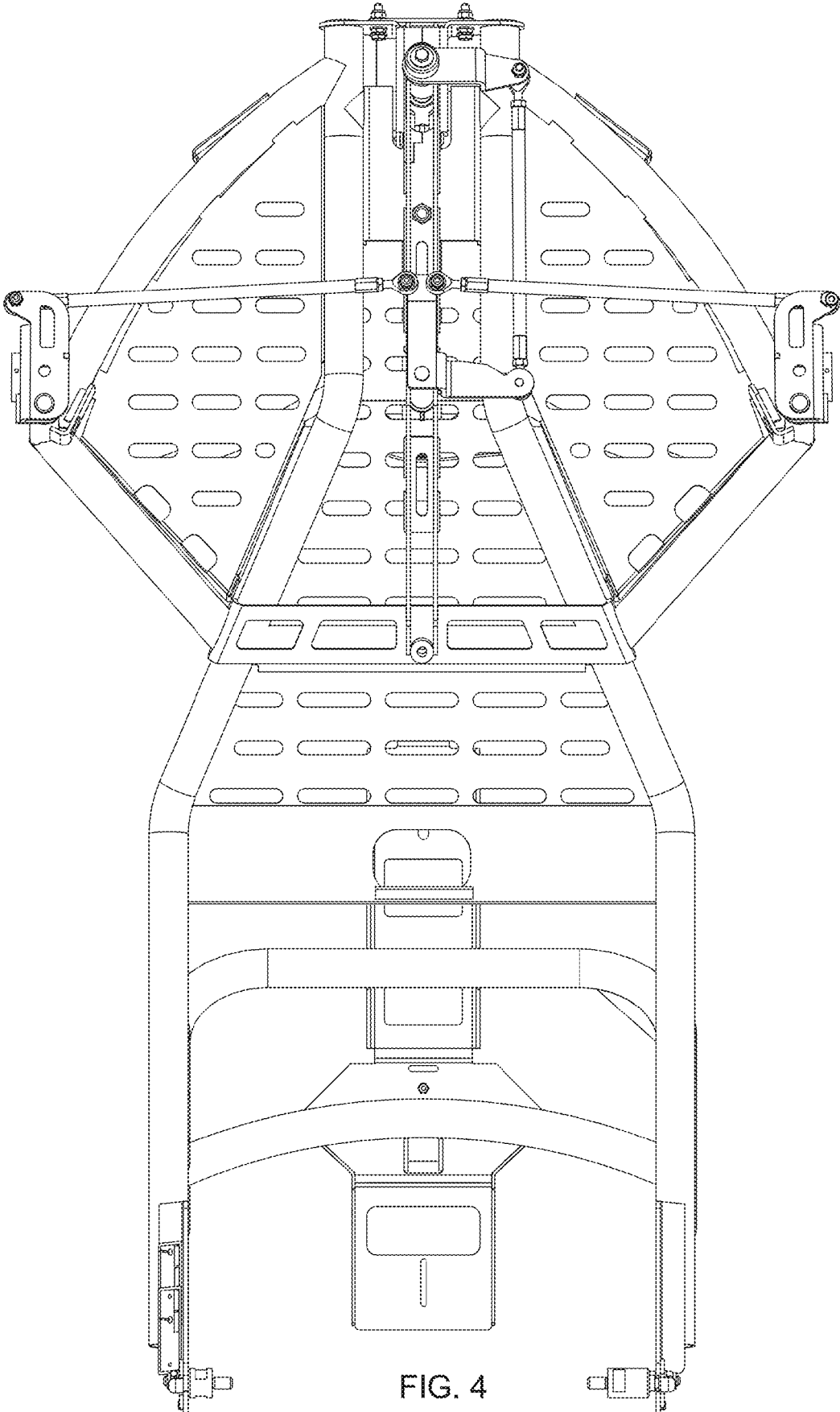


FIG. 4

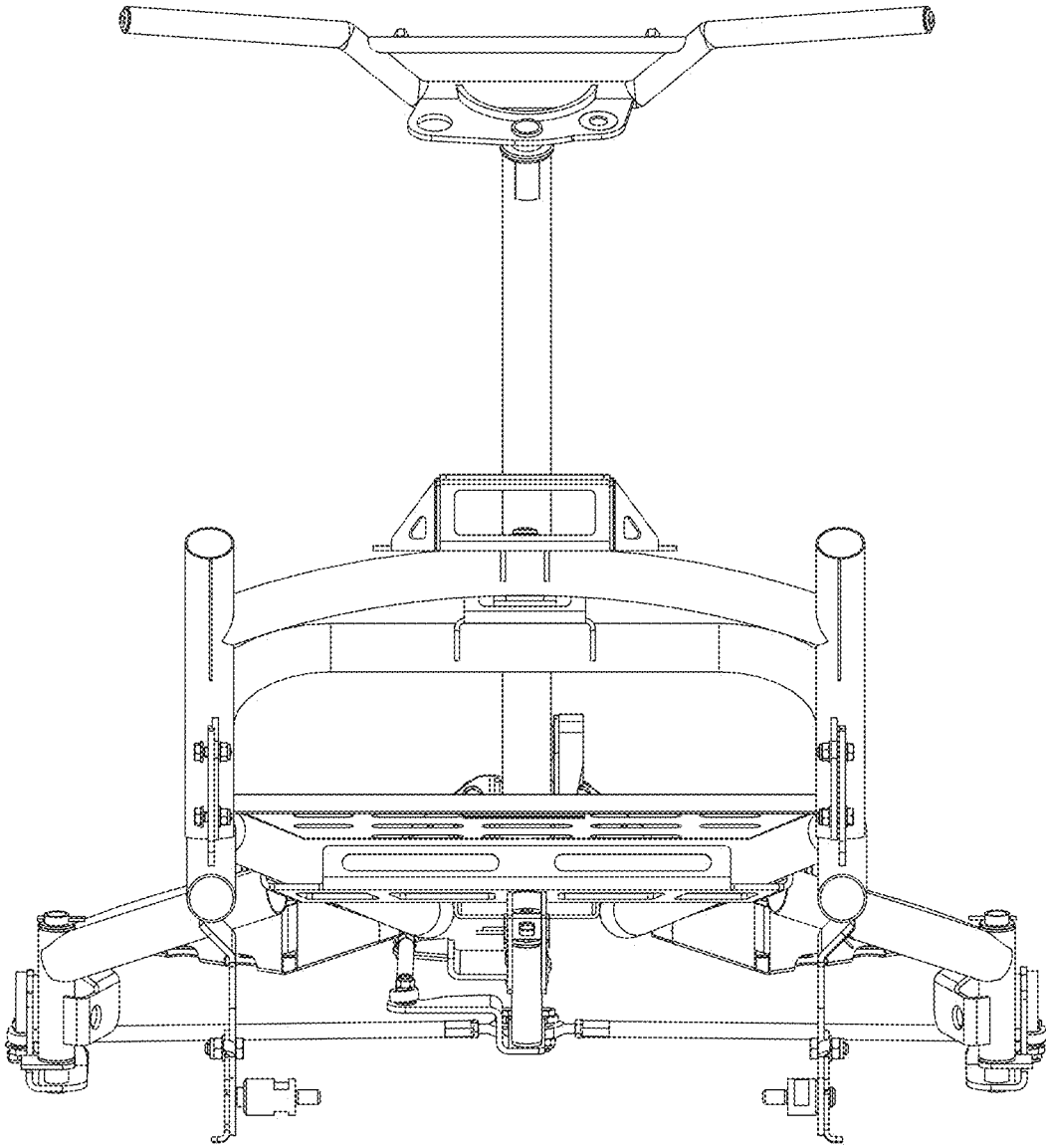


FIG. 5

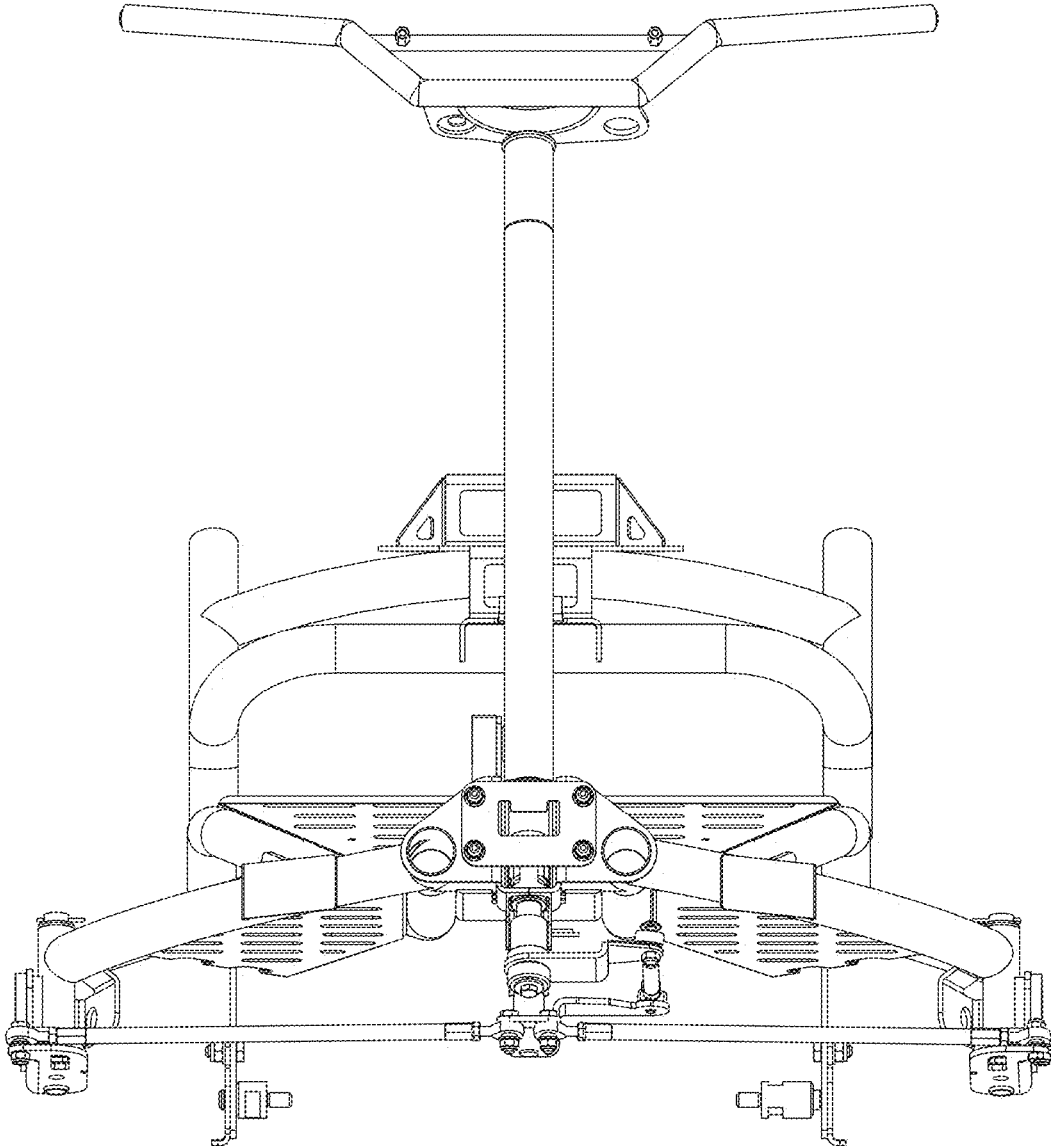


FIG. 6