



US0D1105976S

(12) **United States Design Patent**
Haavikko et al.

(10) **Patent No.:** **US D1,105,976 S**

(45) **Date of Patent:** **** Dec. 16, 2025**

(54) **SUSPENSION UNIT FOR SNOWMOBILE**

(56) **References Cited**

(71) Applicant: **Aurora Powertrains Oy**, Rovaniemi (FI)

U.S. PATENT DOCUMENTS

(72) Inventors: **Olli Haavikko**, Rovaniemi (FI);
Jori-Jaakko Niskanen, Rovaniemi (FI);
Matti Autioniemi, Rovaniemi (FI)

9,090,313	B2 *	7/2015	Bedard	B62M 27/02
9,327,789	B1 *	5/2016	Vezina	B62D 9/02
10,526,045	B2 *	1/2020	Vezina	B62M 27/02
10,780,754	B2 *	9/2020	Ye	B60G 7/001
D1,090,343	S *	8/2025	Haavikko	D12/1
12,391,336	B2 *	8/2025	Bruneau	H01M 50/249
2006/0032686	A1 *	2/2006	Berg	B62M 27/02 280/124.135

(73) Assignee: **Aurora Powertrains Oy**, Rovaniemi (FI)

(Continued)

(**) Term: **15 Years**

OTHER PUBLICATIONS

(21) Appl. No.: **30/015,464**

New eSled Aurora is Now Available, Nov. 7, 2023, YouTube Webpage[online], [Site Visit Aug. 26, 2025], URL: <https://www.youtube.com/watch?v=sGs105yRSs4> (Year: 2023).*

(22) Filed: **Jul. 29, 2025**

(Continued)

Related U.S. Application Data

(62) Division of application No. 29/909,733, filed on Aug. 10, 2023, now Pat. No. Des. 1,090,343.

Primary Examiner — Darlington Ly

Assistant Examiner — Giang Hoang Tran

(74) *Attorney, Agent, or Firm* — ArentFox Schiff LLP

Foreign Application Priority Data

Jun. 8, 2023 (EM) 015024133-0001
Jun. 8, 2023 (EM) 015024133-0002

(57)

CLAIM

(51) **LOC (15) Cl.** **12-14**

(52) **U.S. Cl.** **D12/7; D12/1**

The ornamental design for a suspension unit for snowmobile as shown and described.

DESCRIPTION

(58) **Field of Classification Search**

USPC D12/1, 7, 8, 9, 10, 11, 85, 86, 110, 111,
D12/159, 160; D21/495, 533, 561
CPC B62B 15/007; B62B 17/06; B62B 19/02;
B62B 19/04; B62M 27/00; B62M
2027/025; B62M 2027/026; B62M
2027/028; B60G 3/20; B60G 2200/14;
B60G 2200/144; B60G 2300/322

FIG. 1 is a front elevational view of a suspension unit for snowmobile;

FIG. 2 is a rear elevational view of the design shown in FIG. 1;

FIG. 3 is a top plan view of the design shown in FIG. 1;

FIG. 4 is a bottom plan view of the design shown in FIG. 1;

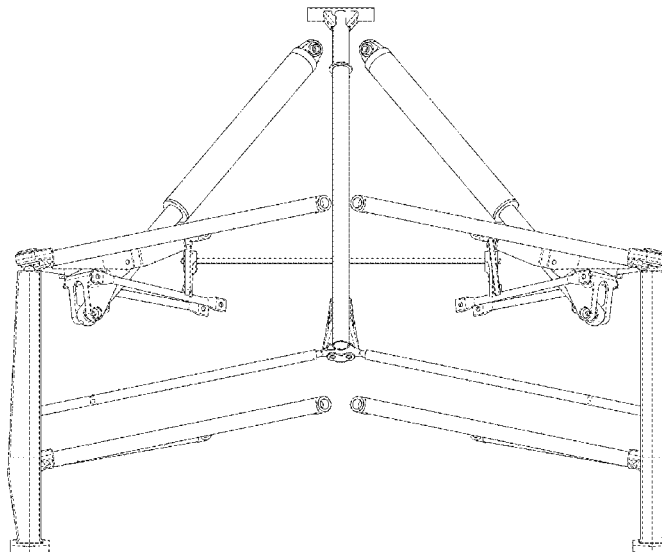
FIG. 5 is a right side elevational view of the design shown in FIG. 1; and,

FIG. 6 is a left side elevational view of the design shown in FIG. 1.

The broken lines shown in the drawings form no part of the claimed design.

See application file for complete search history.

1 Claim, 6 Drawing Sheets



(56)

References Cited

U.S. PATENT DOCUMENTS

2007/0193799 A1* 8/2007 Yoshihara B62M 27/02
180/182
2014/0049021 A1* 2/2014 Huang B60G 3/20
280/267
2014/0332298 A1* 11/2014 Girouard B62M 27/02
180/9.42
2014/0346753 A1* 11/2014 Huang B62D 9/04
280/269
2018/0141580 A1* 5/2018 Mallette B62B 17/06
2019/0047661 A1* 2/2019 Kinugasa B62M 27/02
2021/0214044 A1* 7/2021 Krings B62L 1/005
2022/0009589 A1* 1/2022 Matsushita B60L 50/60
2022/0017181 A1* 1/2022 Suzuki B60L 50/66
2022/0111929 A1* 4/2022 Matsushita B62J 43/16
2023/0150327 A1* 5/2023 Dong B60G 21/026
280/788

2023/0257071 A1* 8/2023 Vigen B62K 13/08
180/190
2024/0149977 A1* 5/2024 Schroeder B62M 27/02
2024/0343345 A1* 10/2024 Haavikko B62J 43/16
2025/0026444 A1* 1/2025 Sibilleau B62M 27/02
2025/0042509 A1* 2/2025 Vezina B62M 27/02
2025/0065950 A1* 2/2025 Tapio B62D 7/20
2025/0187388 A1* 6/2025 Gagnon B60G 5/005

OTHER PUBLICATIONS

Sniktitt: Auroa eSled, Apr. 23, 2024, YouTube Webpage[online],
[Site Visit Aug. 26, 2025], URL: <https://www.youtube.com/watch?v=VaJlplwcDil> (Year: 2024).*
Esled, eSled Webpage[online], [Site Visit Aug. 26, 2025], URL:
<https://esled.com/> (Year: 2025).*

* cited by examiner

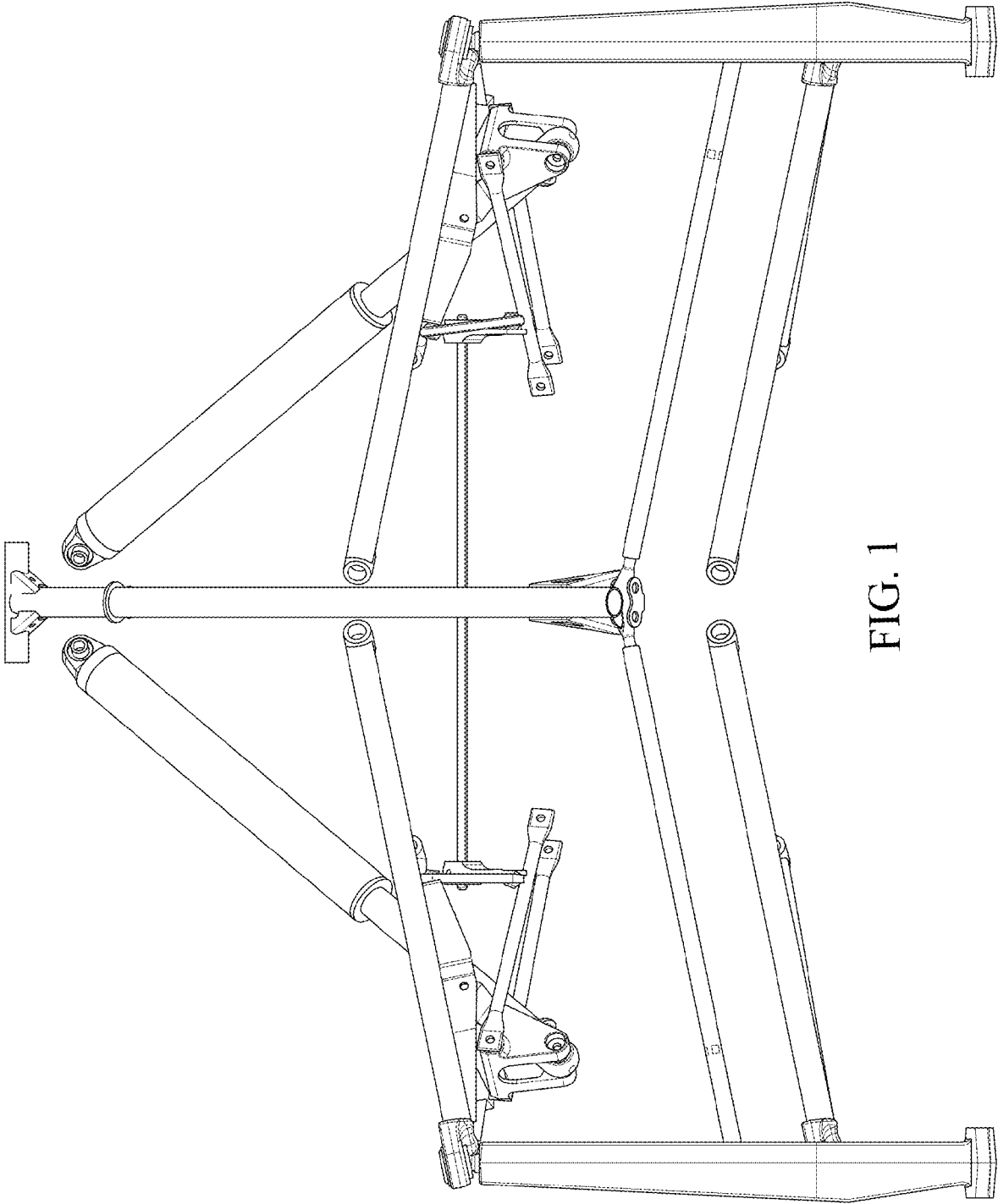


FIG. 1

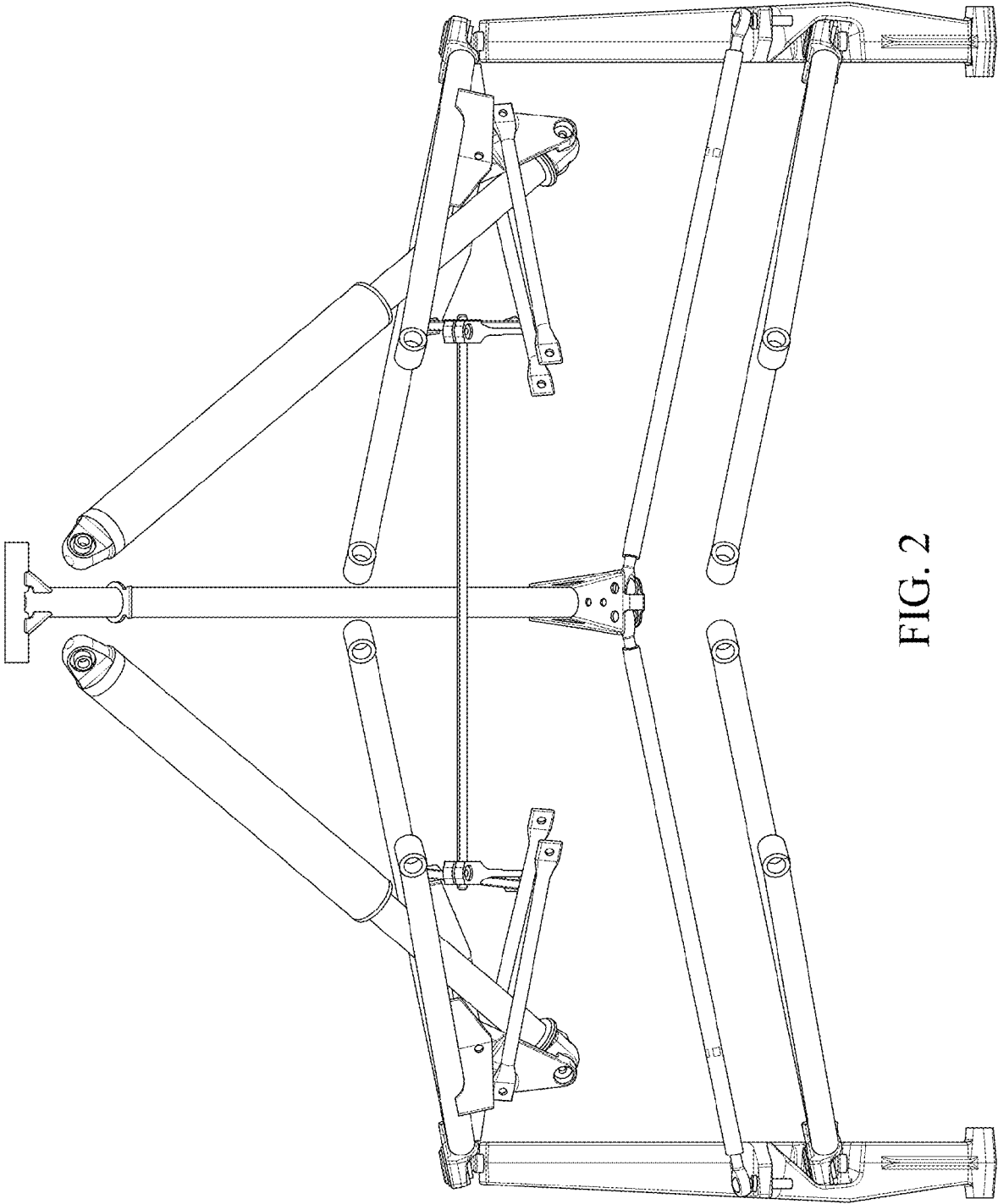


FIG. 2

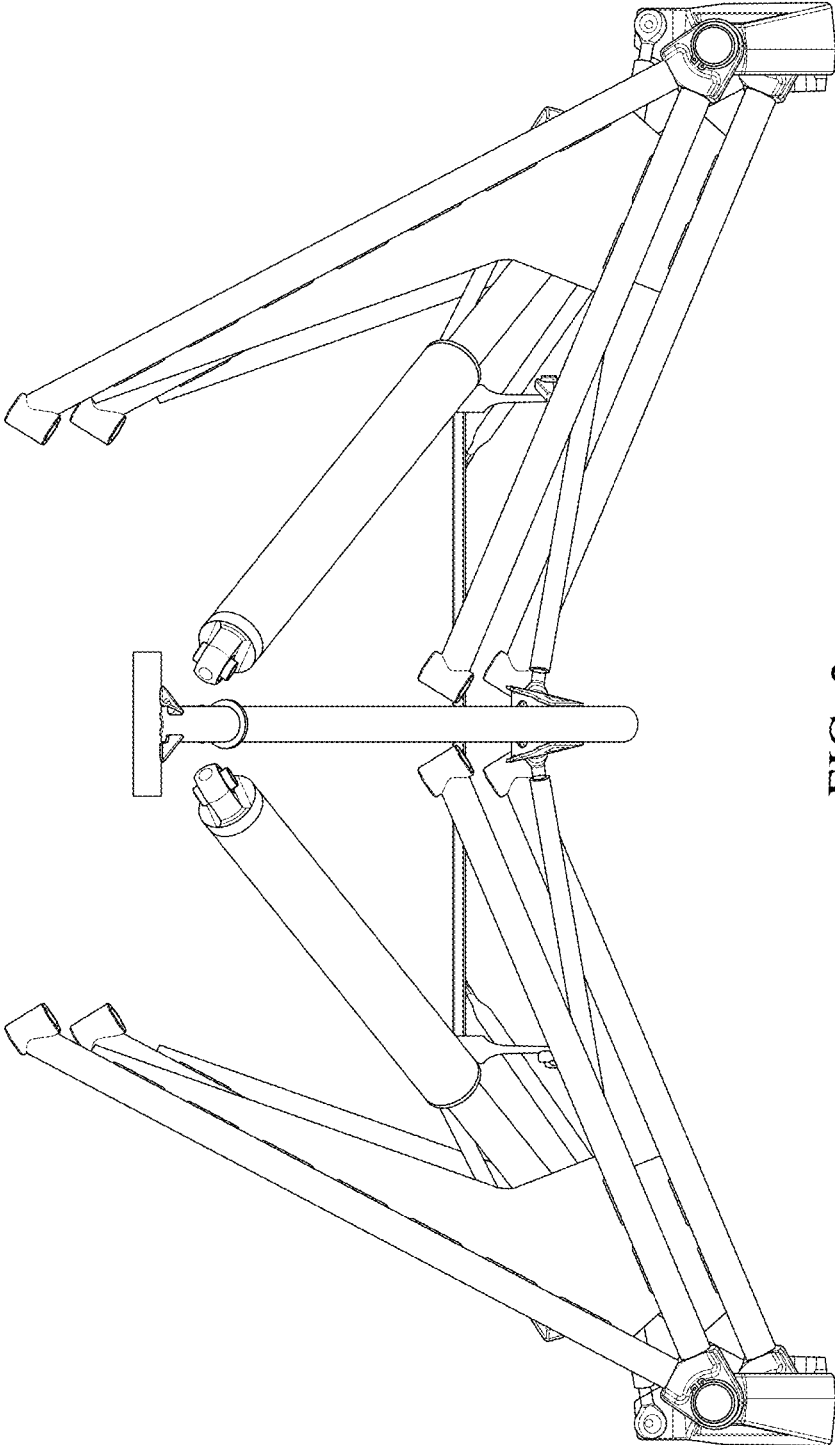


FIG. 3

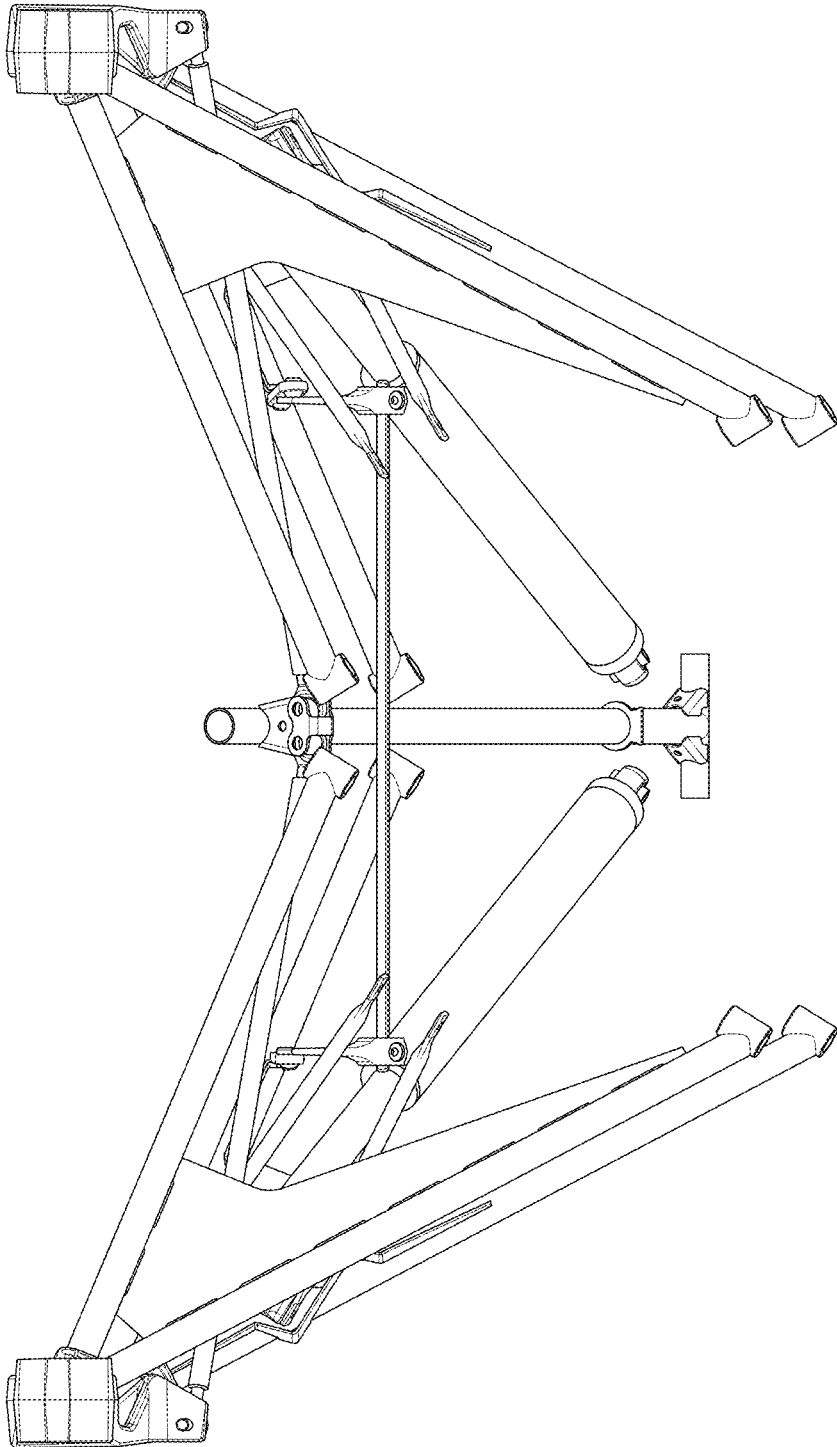


FIG. 4

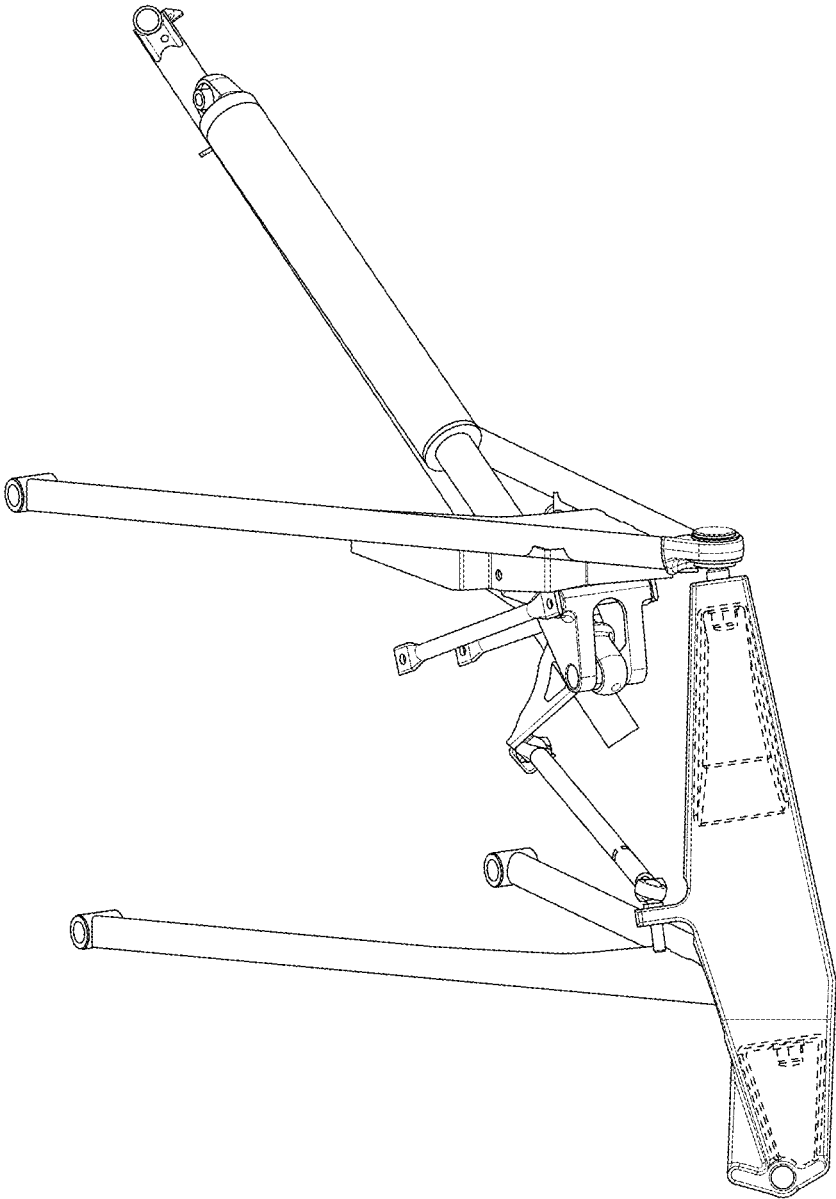


FIG. 5

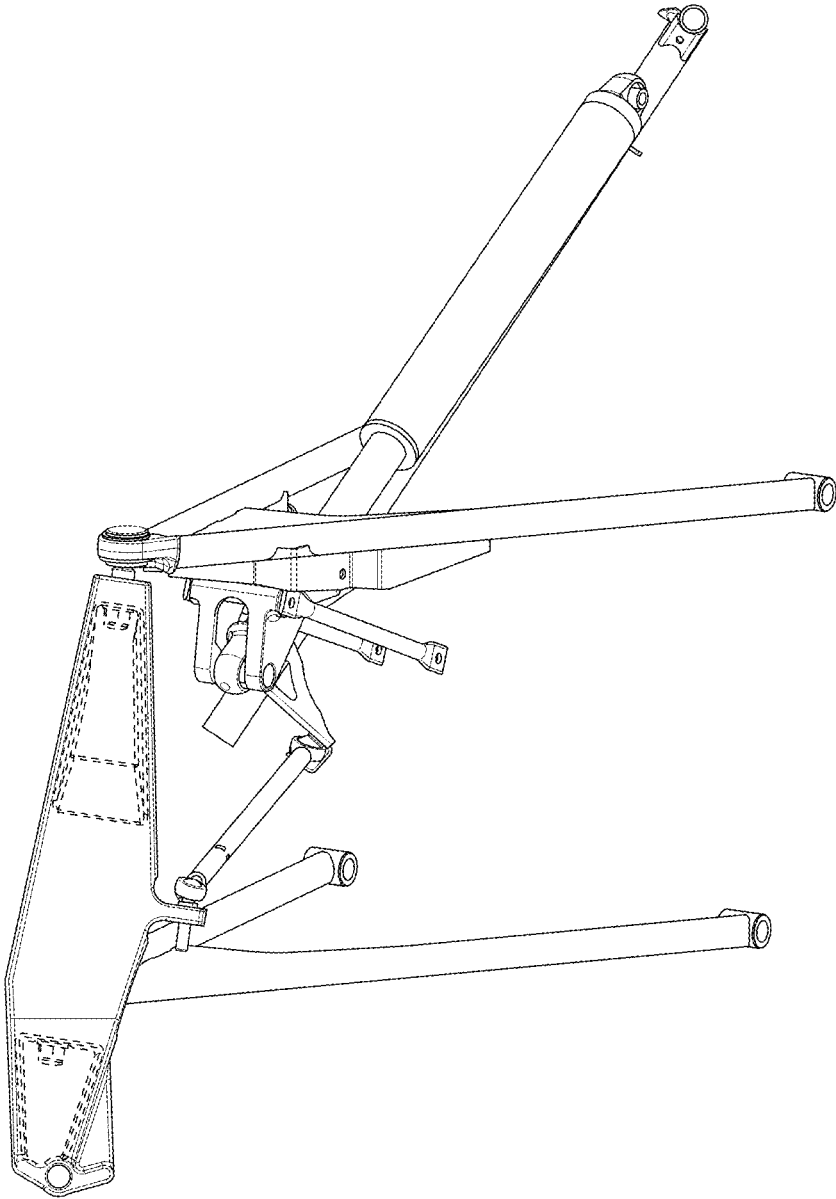


FIG. 6