



US00D604377S

(12) **United States Design Patent**
Phillips

(10) **Patent No.:** **US D604,377 S**

(45) **Date of Patent:** **** Nov. 17, 2009**

(54) **DUAL BLADE SKI RUNNER**

(75) Inventor: **Michael Phillips**, Beaverton, MI (US)

(73) Assignee: **International Engineering & Manufacturing, Inc.**, Hope, MI (US)

(**) Term: **14 Years**

(21) Appl. No.: **29/314,542**

(22) Filed: **Apr. 8, 2009**

(51) **LOC (9) Cl.** **21-02**

(52) **U.S. Cl.** **D21/766**

(58) **Field of Classification Search** D21/760,
D21/761, 765, 766, 801, 803; 441/65-66,
441/68-69, 72-75, 79; D12/6; 280/11.3,
280/11.31, 601-606, 609-610

See application file for complete search history.

(56) **References Cited**

U.S. PATENT DOCUMENTS

D191,094 S *	8/1961	Jackson	D21/668
D257,052 S *	9/1980	Schrishuhn, Jr.	D21/766
5,820,154 A *	10/1998	Howe	280/602
5,871,224 A *	2/1999	Vance	280/608
6,702,315 B2 *	3/2004	Barbieri et al.	280/605
6,857,653 B2 *	2/2005	Wilson	280/602
6,866,273 B2 *	3/2005	Barbieri et al.	280/14.21
D548,136 S *	8/2007	Musselman	D12/7
D549,132 S *	8/2007	Musselman	D12/7

7,281,729 B1 *	10/2007	Wilson	280/602
7,543,839 B2 *	6/2009	Hartmann	280/604
2002/0096860 A1 *	7/2002	Lowe	280/602
2003/0030249 A1 *	2/2003	Lammer	280/602

* cited by examiner

Primary Examiner—Janice E Seeger

Assistant Examiner—Zenia I Bennett

(74) *Attorney, Agent, or Firm*—Robert L. McKellar;
McKellar IP Law, PLLC

(57) **CLAIM**

The ornamental design for a dual blade ski runner, as shown and described.

DESCRIPTION

FIG. 1 is a rear view of a dual blade ski runner showing my new design;

FIG. 2 is a front view;

FIG. 3 is a bottom plan view;

FIG. 4 is a top plan view;

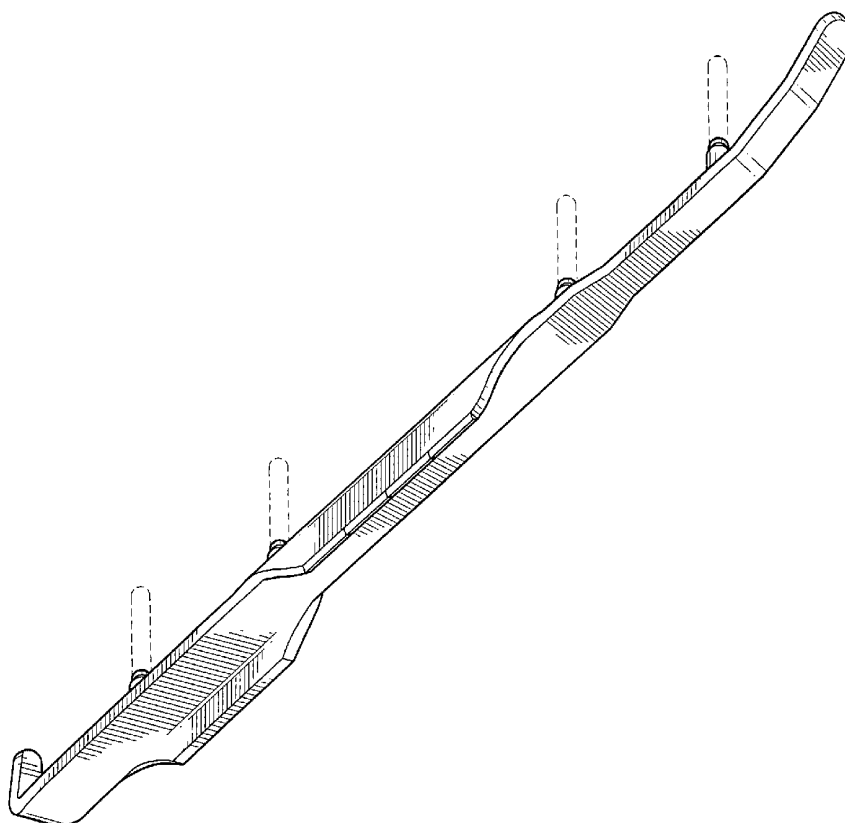
FIG. 5 is a left side elevational view;

FIG. 6 is a right side elevational view; and,

FIG. 7 is a perspective view.

The broken lines in the drawing are for illustrative purposes only and form no part of the claimed design.

1 Claim, 2 Drawing Sheets



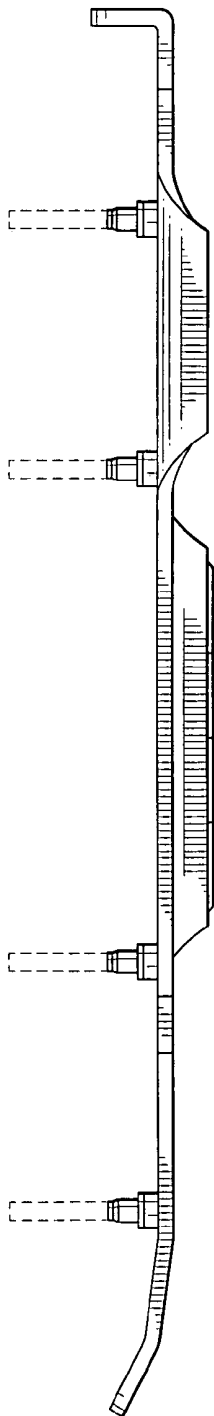


FIG. 1

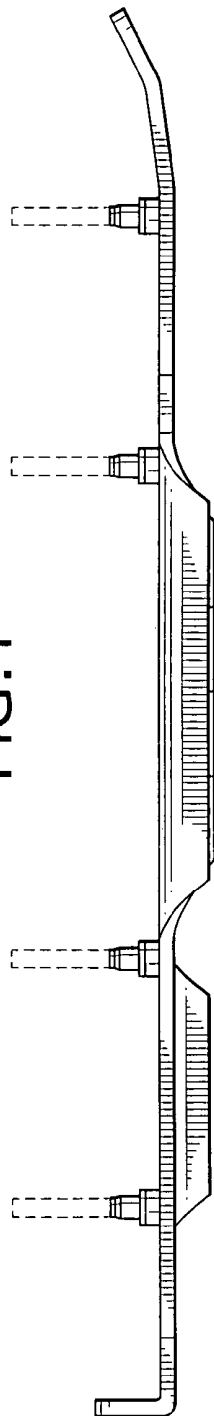


FIG. 2

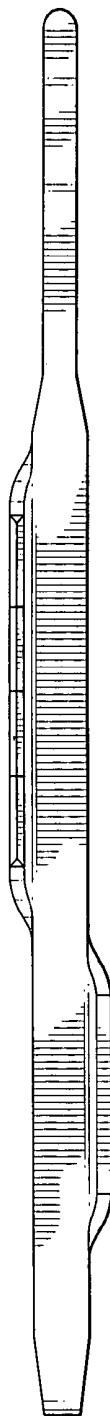


FIG. 3

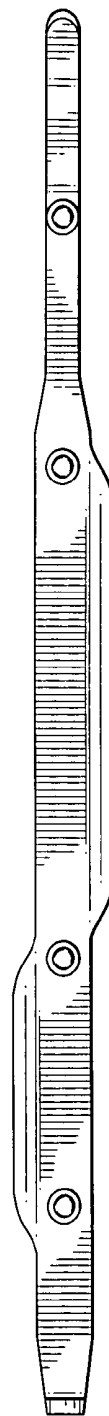


FIG. 4

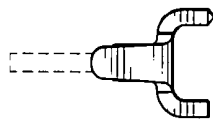


FIG. 5

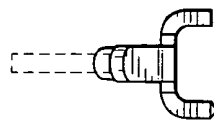


FIG. 6

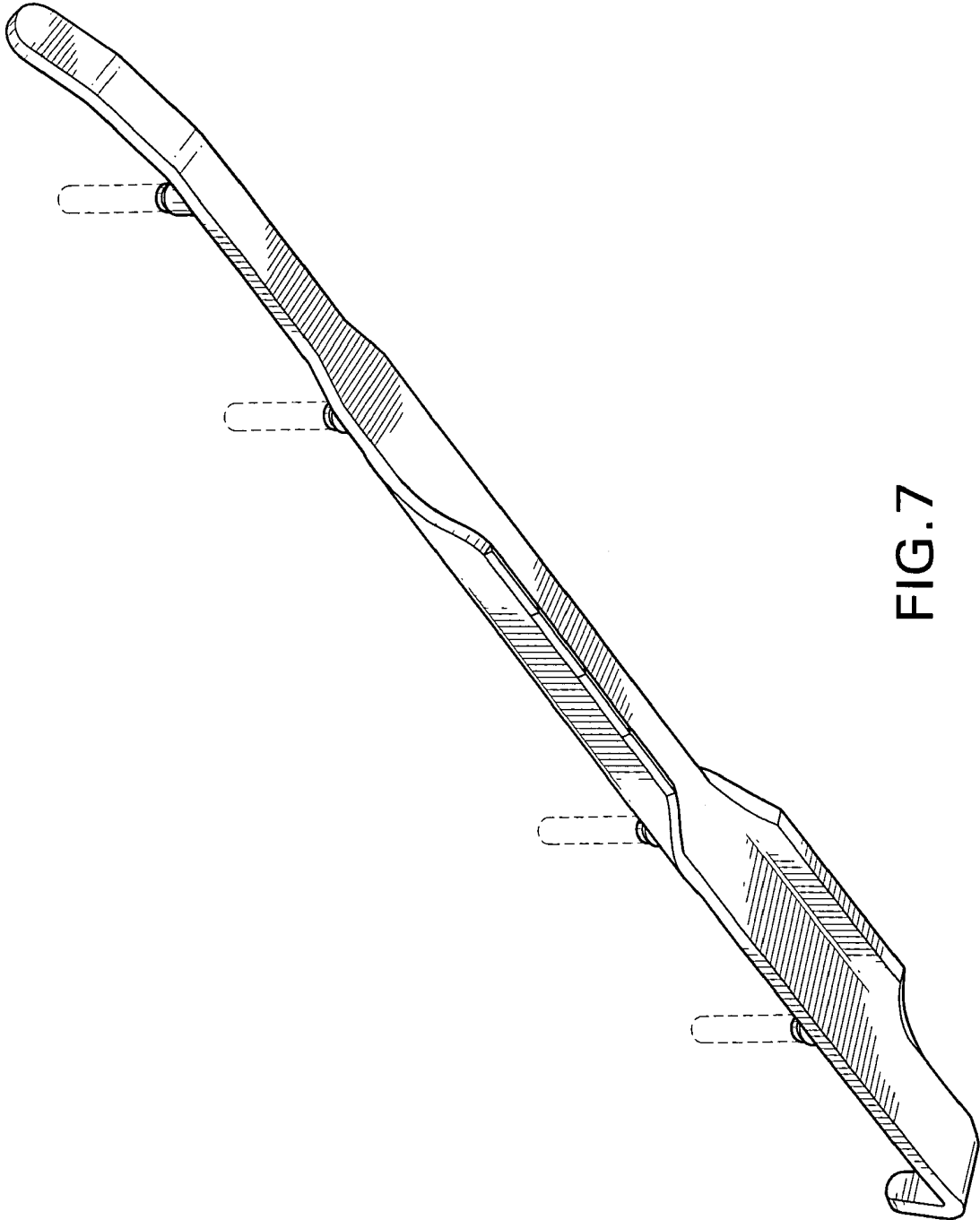


FIG. 7